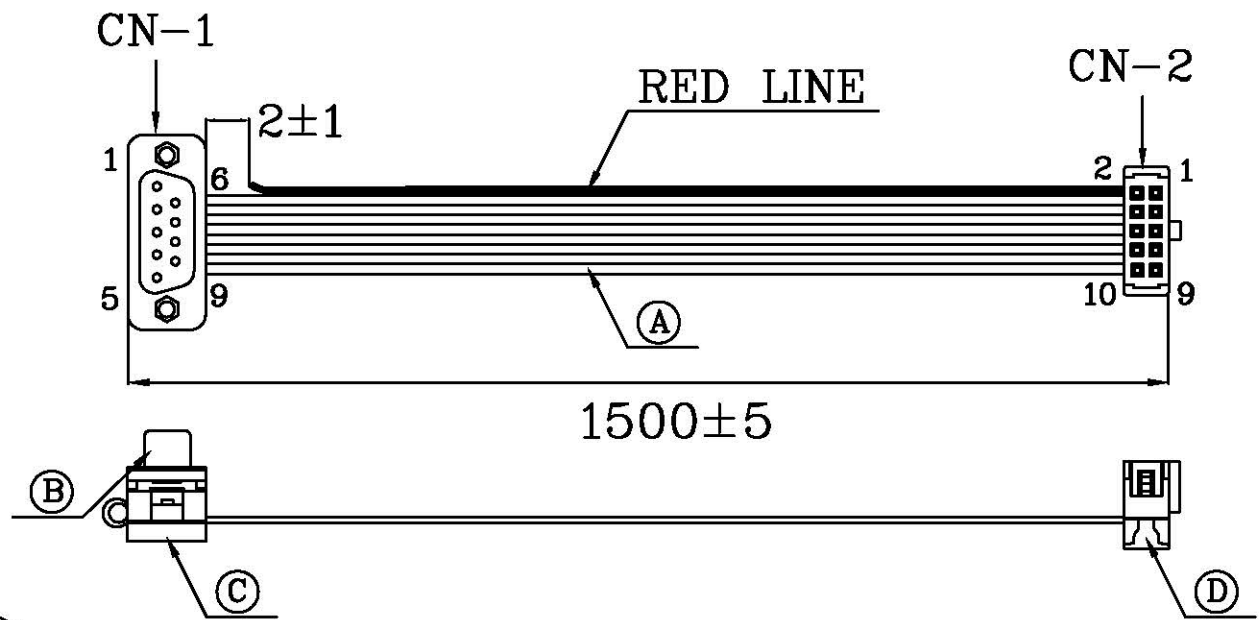


DRAW ID
CD

CRITICAL DIMENSION	THIRD ANGLE PROJECTION	
REV.	DESCRIPTION	DATE
B	D-SUB更換廠商	2020/02/03



CN-1	CN-2
1	2
2	4
3	6
4	8
5	10
6	3
7	5
8	7
9	9

ELECTRONIC

D	CONN TOP	10P IDC SOCKET PH2.54 WITH NOSE GOLD FLASH BLACK (OR EQUIV)	1PCS
C	COXOC	9P STRAIN RELIEF BLUE COLOR (OR EQUIV)	1PCS
B	COXOC	9P D-SUB FEMALE IDC TYPE 4#40 BLUE (OR EQUIV)	1PCS
A	LIAN YU HUNG FU	10P FLAT CABLE PH1.27 AWG28 UL2651 PVC GRAY L=1515mm (OR EQUIV)	1PCS
ITEM	PART NO.	DESCRIPTION	Q'TY

DIMENSIONS IN: mm
DO NOT SCALE PRINT.
TOLERANCES UNLESS OTHERWISE SPECIFIED

1 PLC DEC #
2 PLC DEC ##
3 PLC DEC ###

ANGLES
SURF TEXTURE: ✓
REMOVE BURRS BREAK SHARP EDGES

MATERIAL		HEAT TREAT		FINISH	
DRW	DATE	2013/06/19		冠全電子	
CHK	DATE				
APP	DATE			TITLE FLAT CABLE	
CLIENT 千蒂	DWG NO	KC00000246		SHEET 1 OF 1	REV B

4

3

2

1

KV24-9B

○ **UL STYLE:2651**

Rate temperature:105°C

Rate voltage:300V

Flame test:VW-1

○ **CONDUCTOR:Stranded**

AWG size:28 AWG

Number of strands in each conductor:7/0.127mm.

Lay of strands in each conductor:0.5inch at least

Cross section area:156mil.

○ **INSULATION:**

Material of insulation:polyvinyl chloride(PVC)gray

Insulation thickness average:9 mil.

Minimum insulation thickness:7 mil.

○ **PHYSICAL PROPERTIES:**

After 7 days air oven at 136°C

Average tensile strength:1500 lbs/inch²

Percent of original:70% at least

Average elongation:200%

Percent of original:65% at least

○ **ELECTRONIC CHARACTERISTICS:**

Spark test:2500V

Dielectric strength test:Minimum 2KV in 1 minute

Conductor resistance:Maximum 237 Ω/km

Insulation resistance:Minimum 100 MΩ-km

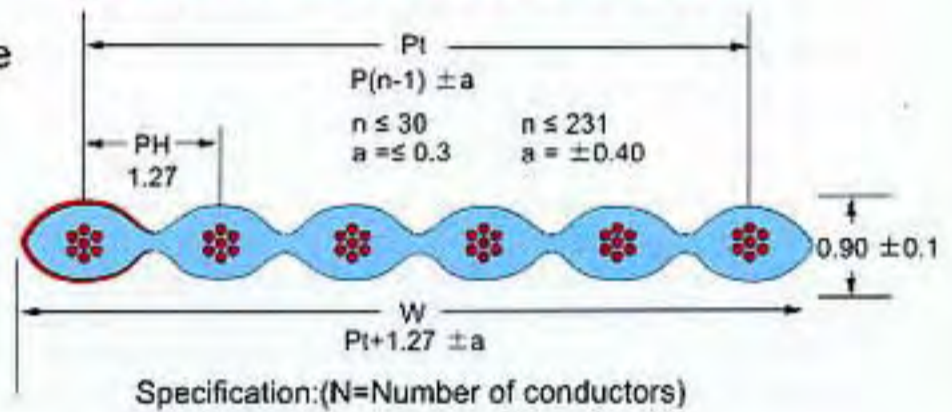
Capacity:44 pF/m (G-S-G)

Inductance:1.45μH/m

Characteristic Impedance:105 Ω (G-S-G)

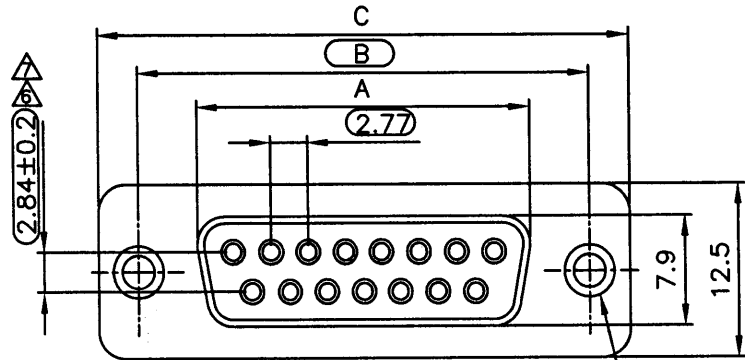
Propagation delay time:4.2 ns/m

○ **CONSTRUCTION DRAWING:**



○ **CONSTRUCTION TABLE:**

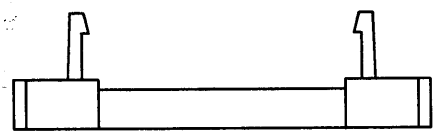
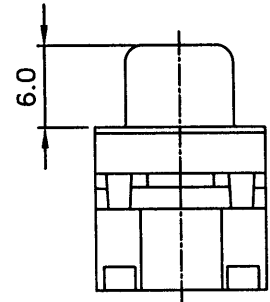
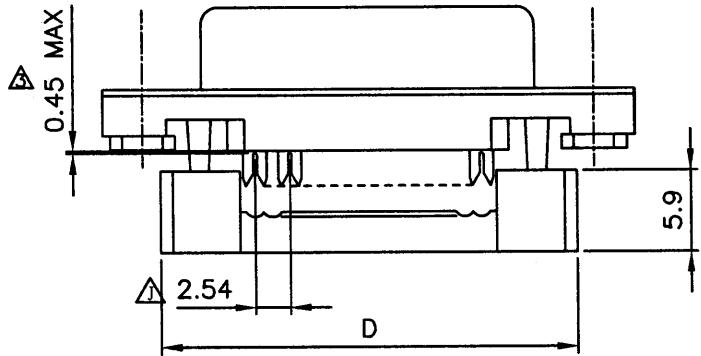
Number of Cores	Size of conductor		Thickness (mm ±0.05)	Width(mm)	Allowable Error (mm)
	AWG	Composition(/solid/mm)			
9 P	28	7/0.127	0.9	11.43	±.0.30
10 P	28	7/0.127	0.9	12.70	±.0.30
14 P	28	7/0.127	0.9	17.78	±.0.30
15 P	28	7/0.127	0.9	19.05	±.0.30
16 P	28	7/0.127	0.9	20.32	±.0.30
20 P	28	7/0.127	0.9	25.40	±.0.30
25 P	28	7/0.127	0.9	31.75	±.0.30
26 P	28	7/0.127	0.9	33.02	±.0.30
30 P	28	7/0.127	0.9	38.10	±.0.30
34 P	28	7/0.127	0.9	43.18	±.0.40
40 P	28	7/0.127	0.9	50.80	±.0.40
50 P	28	7/0.127	0.9	63.50	±.0.40
60 P	28	7/0.127	0.9	76.20	±.0.40
64 P	28	7/0.127	0.9	81.28	±.0.40



PARTS DIMENSION TABLE

parts no.	DIM. a	DIM. b	inner thread	outer thread
B	4.8	11.8	4#40	4#40
D	5.8	12.0	4#40	4#40
F	4.8	11.8	M3	M3

4#40 Thread or M3 Thread



POSITION	A	B	C	D
9F	16.30	25.00	30.8	22.4
15F	24.60	33.30	39.2	30.8
25F	38.30	47.10	53.1	44.5
37F	54.80	63.50	69.4	61.4

SPECIFICATION
MATERIAL
 Insulator: Thermail Plastic UL94V-0
 Contacts: Copper Alloy
 Shell: Steel
 Rivet Boardlock: Copper Alloy
CONTACT PLATING
 Underplate: 50u~100u" Nickel
 Contact Area: 1u~30u" Selective Gold
ELECTRICAL
 Operation Voltage: 250 VAC Max.
 Current Rating: 3 Amps Max.
 Contact Resistance: 15 mohms Max.
 Insulation Resistance: 3000 Mohms Min @ 500 VDC
 Dielectric Withstanding Voltage: 1000 VAC / Minute
 Temperature Range: -55°C To +105°C
PART NO.

212 A X XX F X X B X 0 X
 1 2 3 4 5 6 7 8 9 10 11

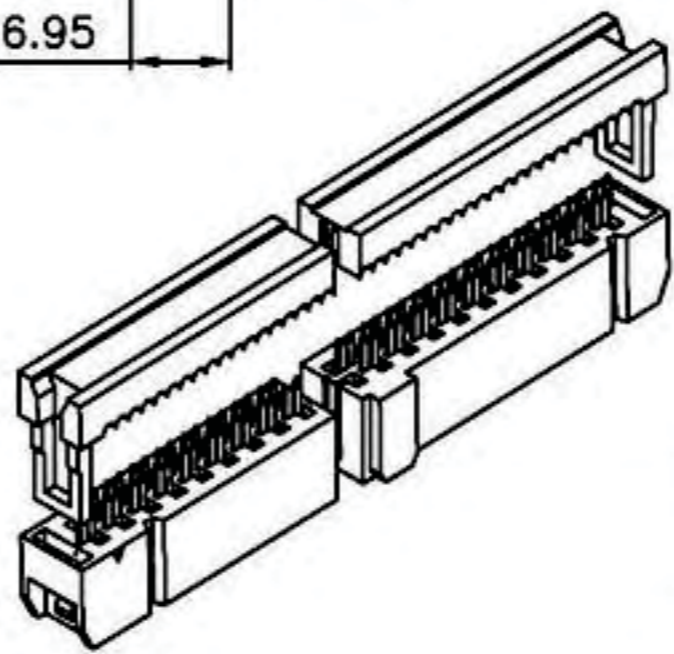
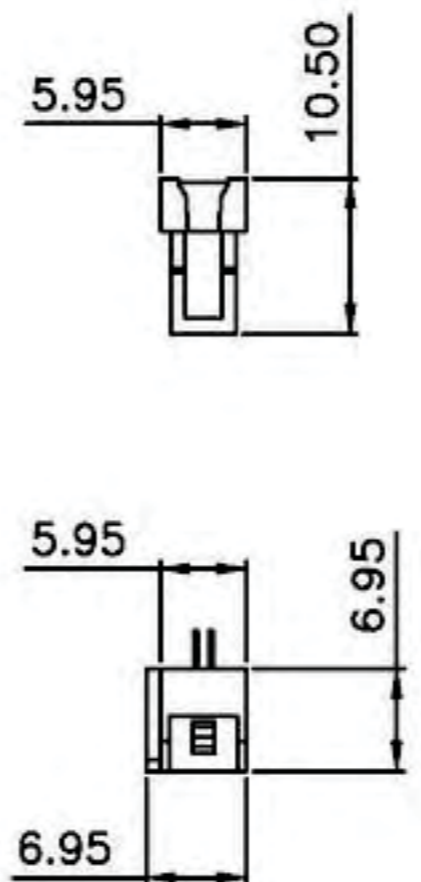
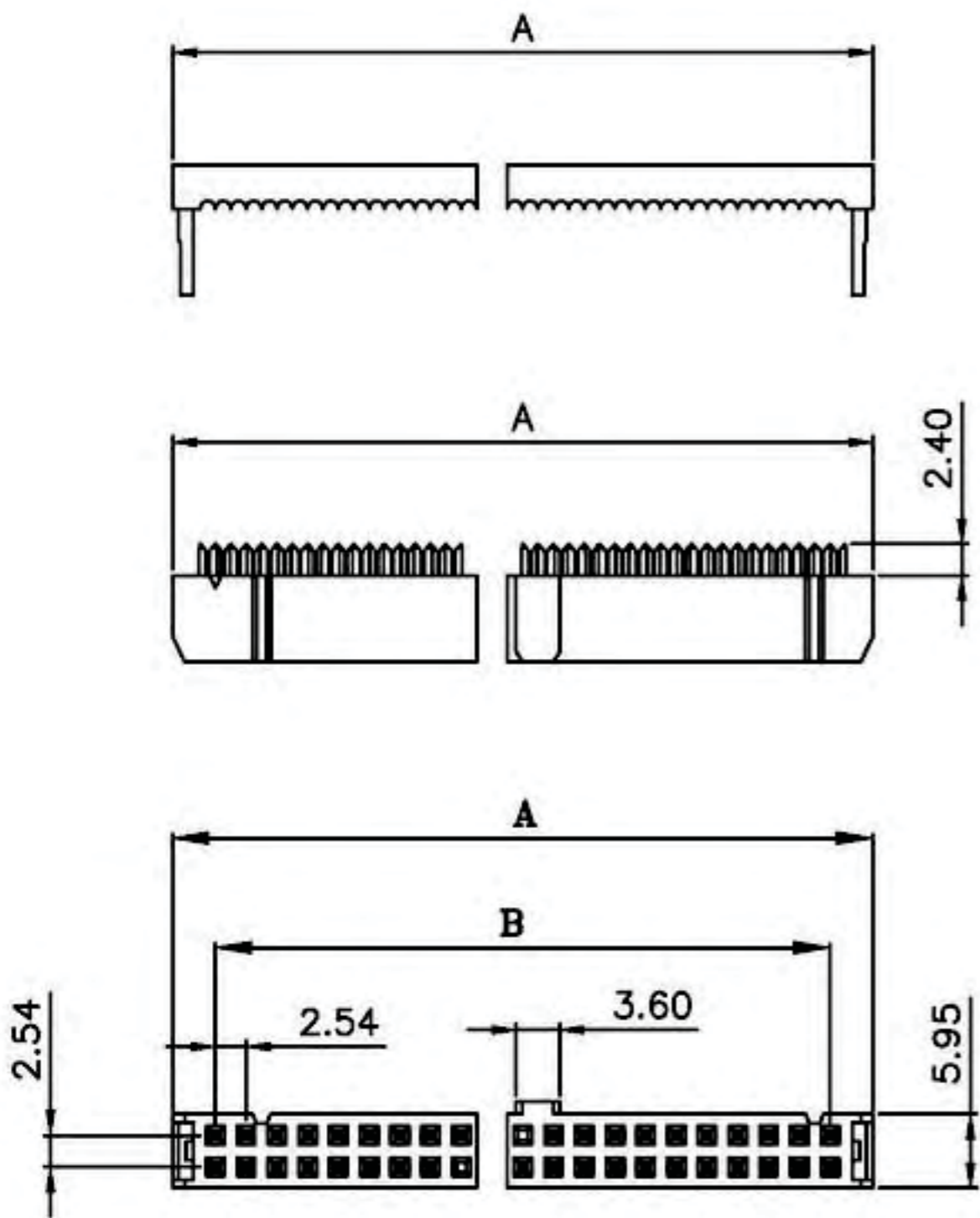
- 1.SERIES NO.
- 2.TYPE: A=Standard
- 3.GREEN OPTION:
 - △J=SONY SS-00259(Bright Plated)
 - (Reserved)
 - E=RoHS(Bright Plated)
- 4.CONTACT NUMBER: 09 15 25 37
- 5.CONTACT TYPE: F=Female
- 6.CONTACT AREA PLATING:
 - G=Gold Flash
 - S=Gold Flash (Selective)
 - A=5u" Gold (Selective)
 - B=10u" Gold (Selective)
 - C=15u" Gold (Selective)
 - D=30u" Gold (Selective)
- 7.SHELL PLATING:
 - C=Metal (Tin) W/M3 Thread Rivet
 - D=Metal (Tin) W/4#40 Thread Rivet
 - E=Metal (Ni) W/4#40 Thread Rivet
- 8.PROCESS OPTION: B=W/Strain Relief
- 9.PARTS OPTION:
 - △A=Non Accessories
 - △B=Loose Screws (4.8*11.8)(4#40)
 - △D=Loose Screws (5.8*12.0)(4#40)
 - F=Loose Screws (4.8*11.8)(M3) Inner & Outer Thread Rivet
- 10.FILL IT WITH "0"
- 11.INSULATOR:
 - 2=Blue
 - 3=Black
 - 4=Grey

For SIP

UNLESS OTHERWISE SPECIFIED TOLERANCE
 ANG. ±5°
 0. ±0.5
 .0 ±0.3
 .00 ±0.2

SCALE: AS SHOWN UNIT: mm

REV.	DESCRIPTION	DATE	DRAWN	CHECKED	APPROVER	DATE	SCALE	UNIT	FILE NAME
J	ECN-1608006(Vicky)△(1,C)	08/05/2016	PEARL			08/05/2016	AS SHOWN	mm	212AXXFXXB0X
I	ECN-1509045(Jane)△(1,G)	09/25/2015							212AJXXFXCBA0X
H	ECN-0902075(Joe)△(1,G)	02/10/09							



MATERIALS:
 INSULATOR: P. B. T. 30%GLASS FIBER, UL94V-0
 CONTACTS: BRASS OR PHOSPHOR BRONZE,
 GOLD FLASH OVER NICKEL

ELECTRICAL:
 CURRENT RATING: 1AMP.
 INSULATION RESISTANCE: 1000M Ω MIN.
 DIELECTRIC WITHSTANDING: 500VAC
 OPERATING TEMPERATURE: -55°C~+105°C

DIMENSION					
CONTACT	A	B	CONTACT	A	B
FC-06P	12.18	05.08	FC-30P	42.66	35.56
FC-08P	14.72	07.62	FC-34P	47.74	40.64
FC-10P	17.26	10.16	FC-36P	50.43	43.18
FC-12P	19.80	12.70	FC-40P	55.36	48.26
FC-14P	22.34	15.24	FC-44P	60.64	53.34
FC-16P	24.88	17.78	FC-50P	68.06	60.96
FC-18P	27.42	20.32	FC-56P	75.71	68.58
FC-20P	29.96	22.86	FC-60P	80.90	73.66
FC-24P	35.04	27.94	FC-62P	83.35	76.20
FC-26P	37.58	30.48	FC-64P	86.10	78.74

FC-11 - XX B0 BK C 000
 1 2 3 4 5

(RoHS Compliant)

1. Circuits: 06 to 64

2. Tail Style:

- B0=Brass
- B4=Brass 4kg
- B6=Brass 6kg
- P0=Phosphor Bronze
- P4=Phosphor Bronze 4kg
- P6=Phosphor Bronze 6kg

3. Color: BK=Black
 GR=Gray

4. Contact Plated:

- T=Tin over Nickel
- C=Gold Flash
- F=Gold Flash, Tin 100u"
- A=Gold 3u"
- B=Gold 3u", Tin 100u"
- D=Gold 5u"
- E=Gold 5u", Tin 100u"

- G=Gold 10u"
- J=Gold 10u", Tin 100u"
- L=Gold 15u"
- M=Gold 15u", Tin 100u"
- U=Gold 30u"
- V=Gold 30u", Tin 100u"

5. Special Options

		PART NO	FC-11-XXB0BK000	X ±0.2	X ±0.2	.XX ±0.2
BOM	1: FC-XXPH	DRAWING NO	FC-00069	EDITION: B		ITEM: FC
	2: FC-XXM	DRAWN BY	LIN	2005/06/30		SCALE: 1:1
	3: FCT-B	APPROVAL BY				UNIT: m.m
TEL:(02)86481727 FAX:(02)86482427						